

12RO14 - LITERATURE REVIEWS

1-MAR-12

Aim - provide some hints for the process of performing and writing a literature review

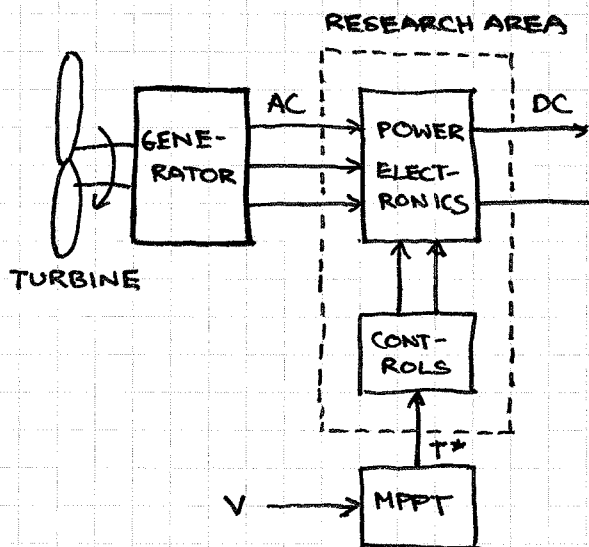
1. PURPOSE

The purpose of a literature review is generally to highlight the original contribution of a piece of research work e.g. paper or thesis. It is important to keep this in mind to ensure that the review is both detailed and comprehensive, yet also clear and concise.

2. THREE KEY PARTS

2.1. Show Context

Show how the system or part of a system fits into the larger context or application and its interactions with other parts (input/output). For example a study on power electronics and controls for wind turbines:



2.2. Classify Generally Related Work

Examine the research papers within the chosen area to identify categories which can be to classify the papers. For example

- generator type - permanent magnet, induction ...

- topology - rectifier, SMR, inverter ...
- sensors used - current, speed, position ...

Research papers can then be classified using these criteria, for example,

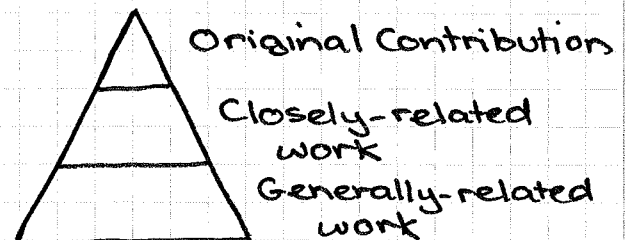
	TOPOLOGY		
	RECTIFIER	SMR	INVERTER
SURFACE PM	[1],[2]	[3],[4] [5]	[6]
INTERIOR PM		[7][8]	

These criteria may be helpful to define the research "gap".

2.3. Clarify Your Contribution

Identify the most relevant work in the field. Discuss their contributions in detail. Highlight shortcomings and research opportunities. Clearly explain the specific contributions which you are planning to make. Discuss why these are important in the overall context.

3. SUMMARY



The focus of a literature review is always on the original contribution and on explaining this clearly.